

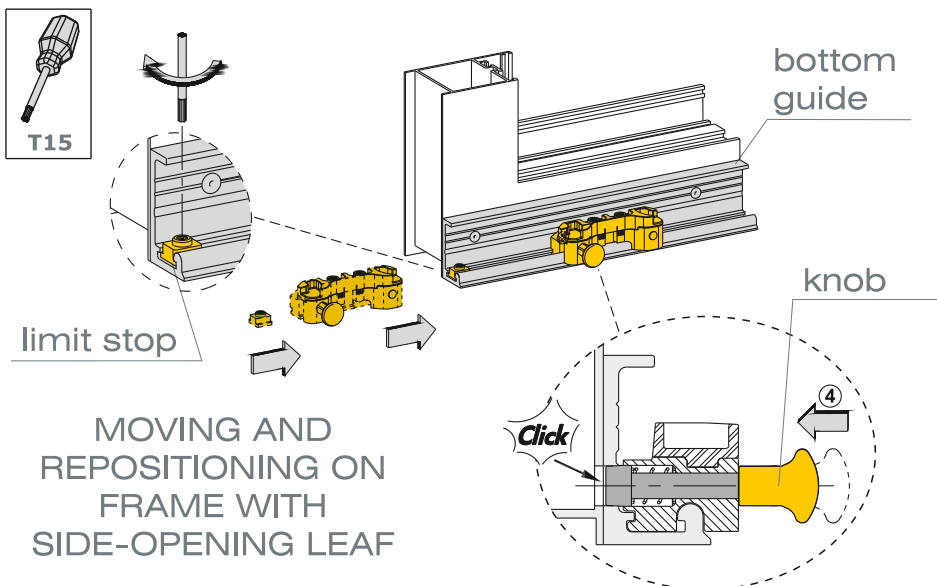
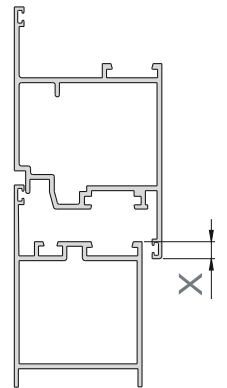
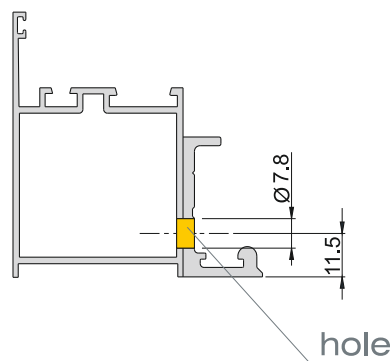
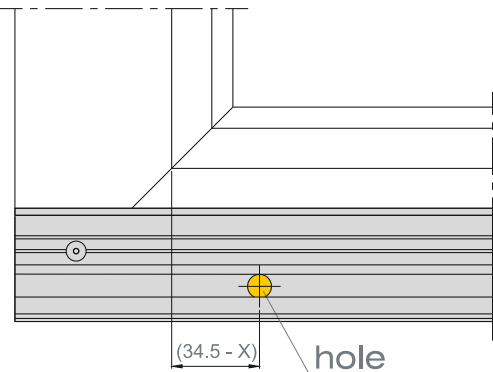
SLIDEART TS Complementary products

Adjustable and releasable leaf return

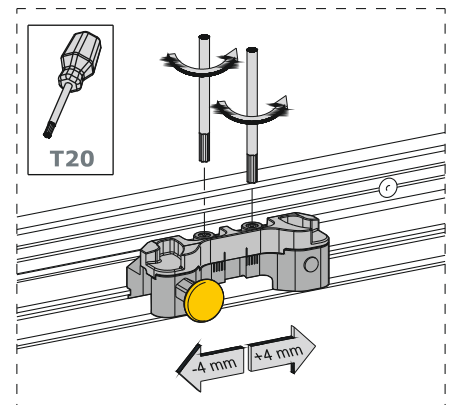
Unlike the standard one supplied in the package, in case of a leaf positioned side by side that opens, it can be easily moved. Moreover, the supplied limit stop prevents the roller from coming out during the operation.



2401.805



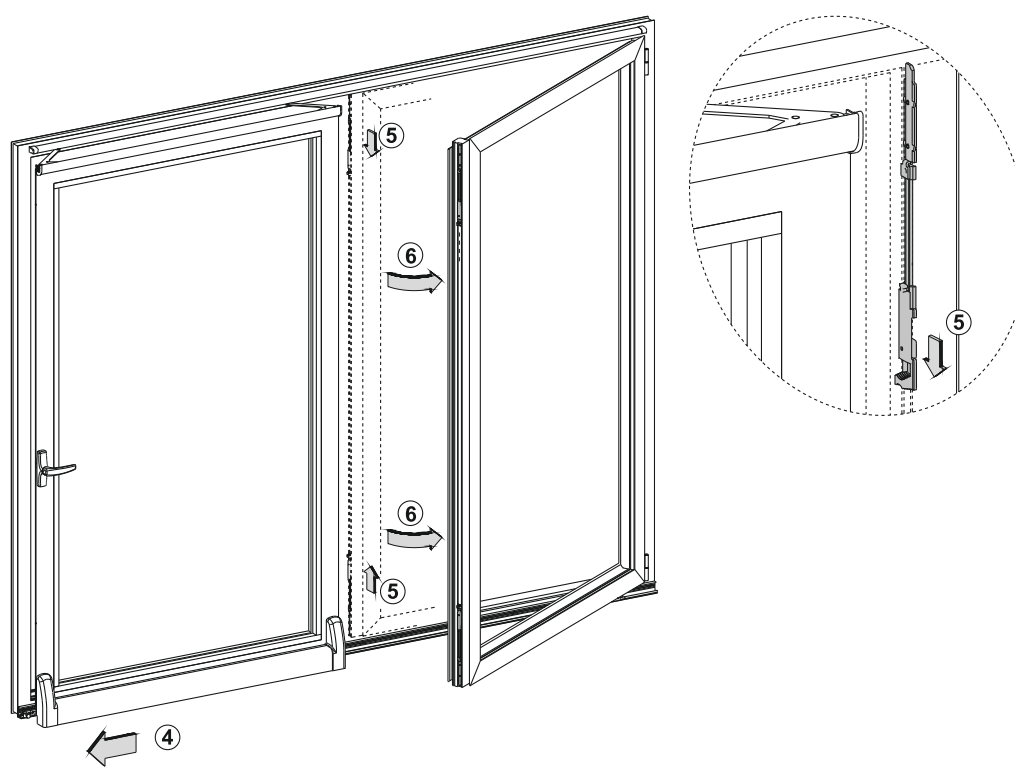
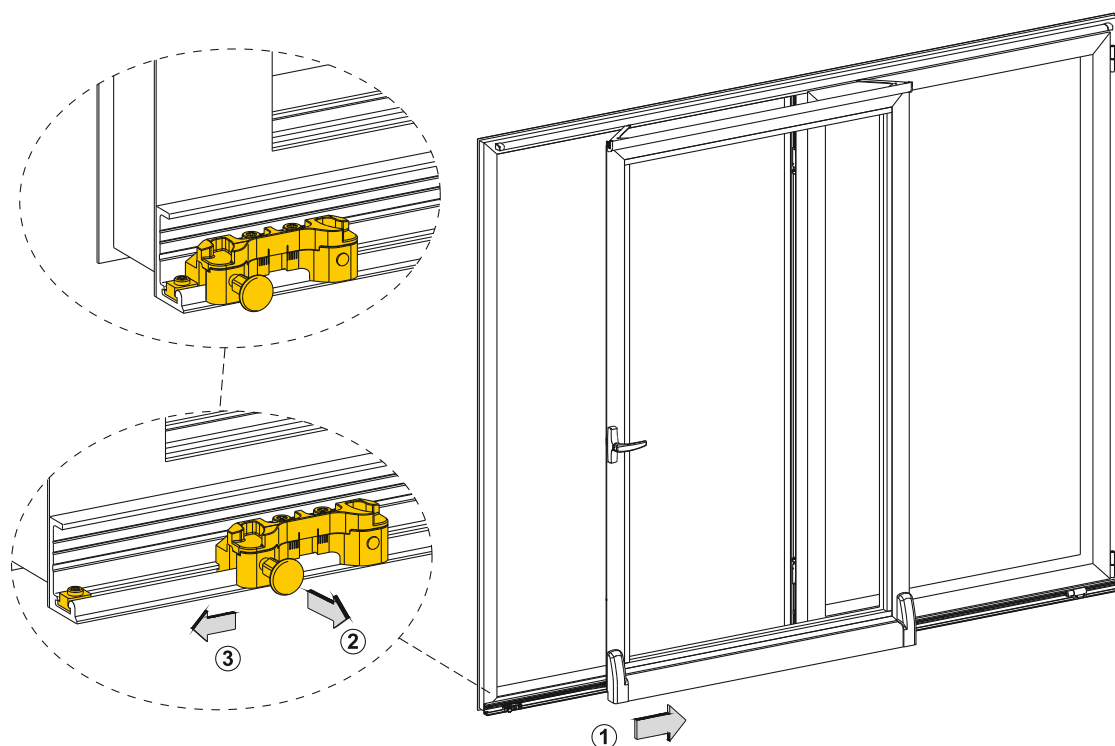
LATERAL ADJUSTMENT



SLIDEART TS

Complementary products

2401.805



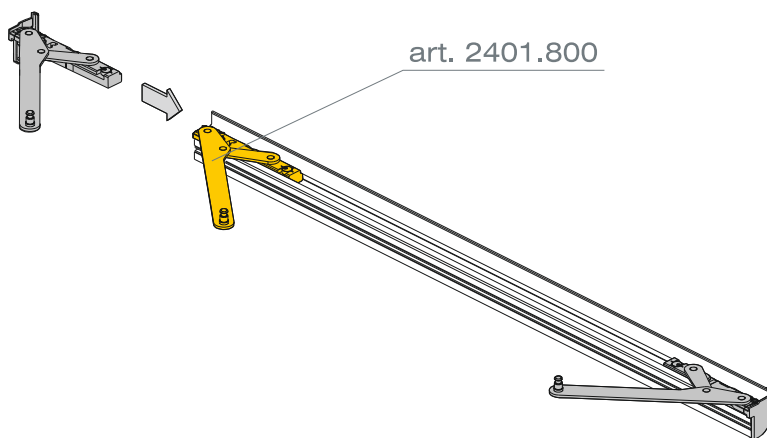
SLIDEART TS Complementary products

Additional arm

In case of large leaves, it increases the opening/closing strength.

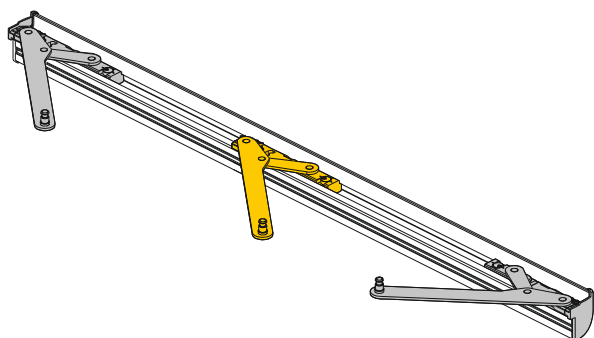


2401.800



art. 2401.800

To be used on especially heavy and large leaves in order to increase the opening and closing strength.



After inserting the additional arm, block all the arms.

SLIDEART TS Complementary products

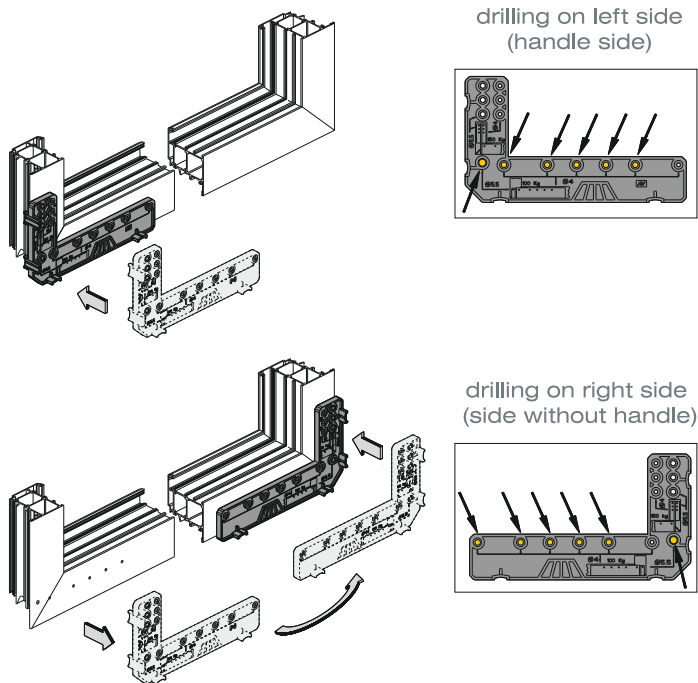
Drilling jig for rollers support

Used to properly drill the holes needed to secure the rollers support onto the leaf.

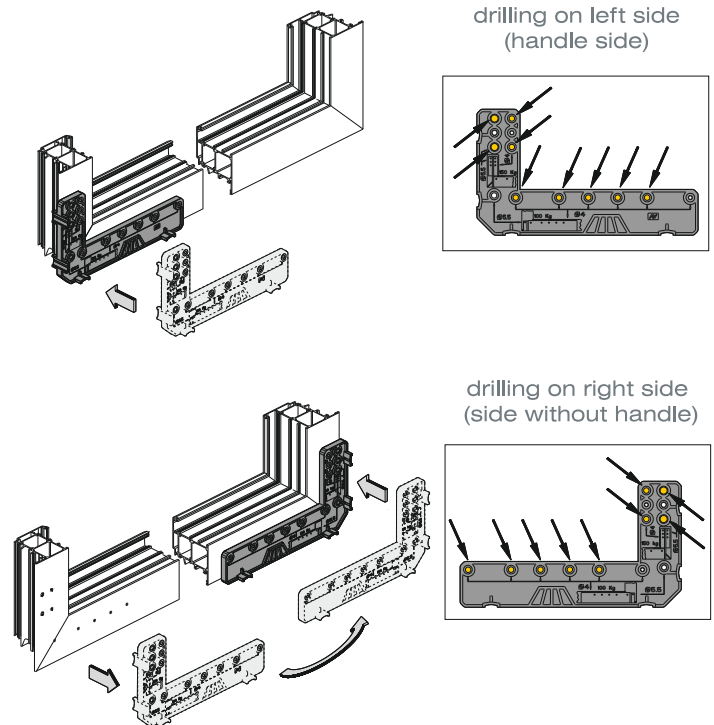


2401.901

DRILLING OF SUPPORTS WEIGHT CAPACITY **100 KG**



DRILLING OF SUPPORTS WEIGHT CAPACITY **150 KG**



SLIDEART TS Complementary products

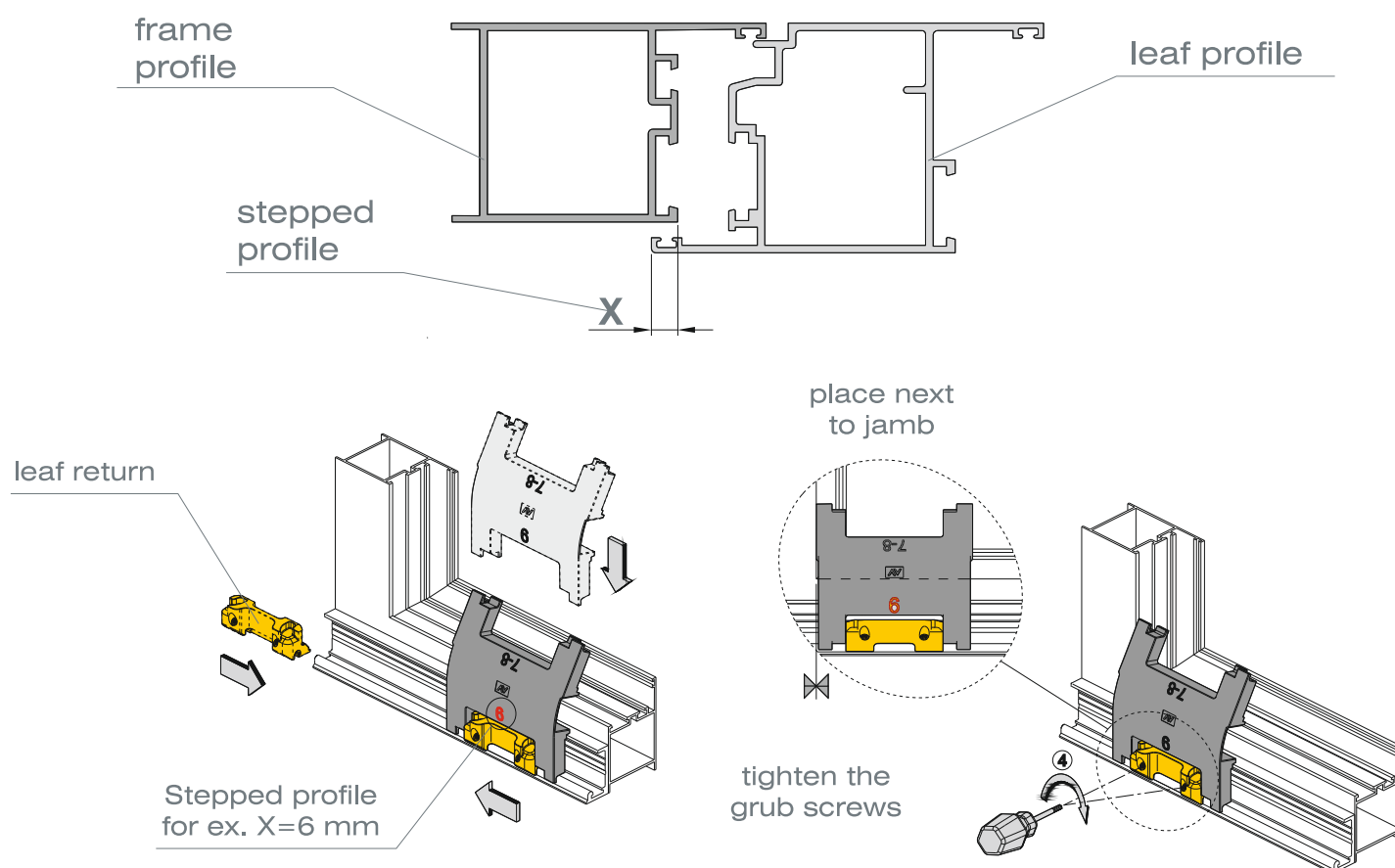
Positioning jig for fixed leaf return

It makes positioning the leaf return easier and more accurate and adapts to different stepped profiles.



2401.902

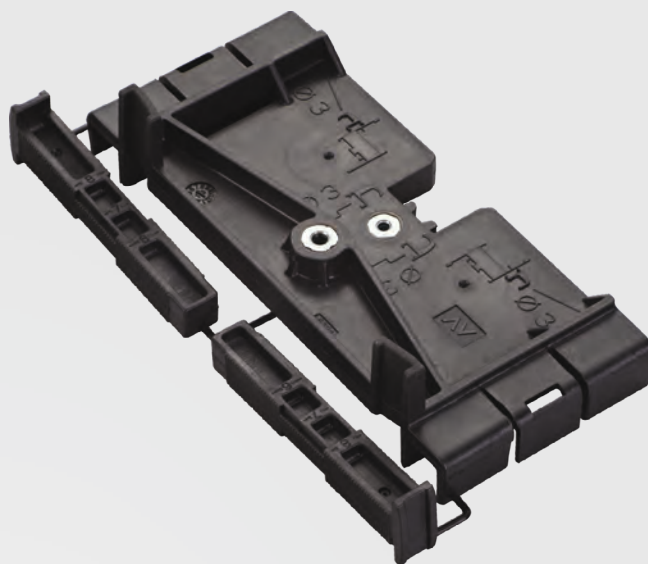
POSITIONING OF LEAF RETURN



SLIDEART TS Complementary products

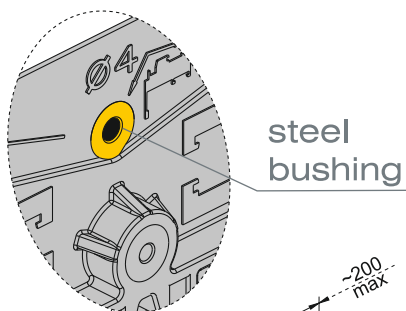
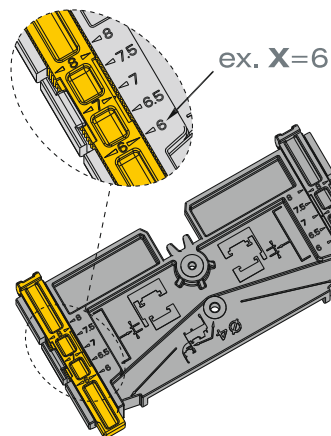
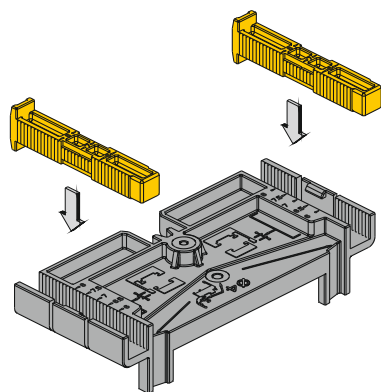
Drilling jig for top guides

It simplifies the fixing operation and adapts to different stepped profiles.

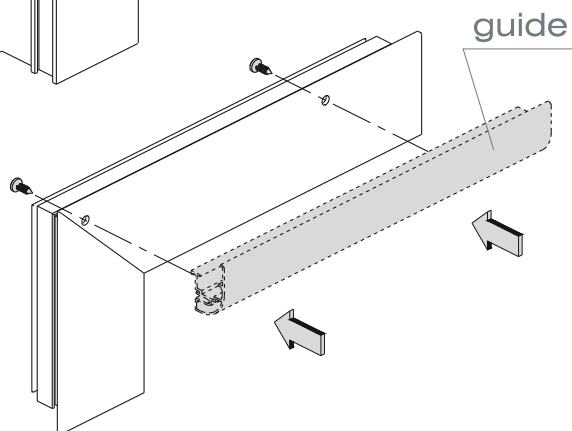
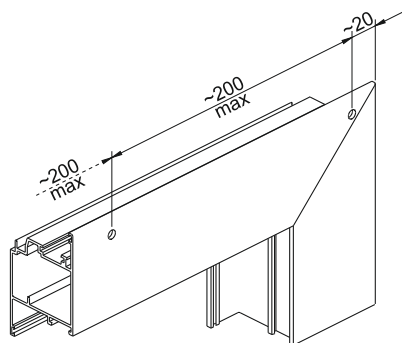
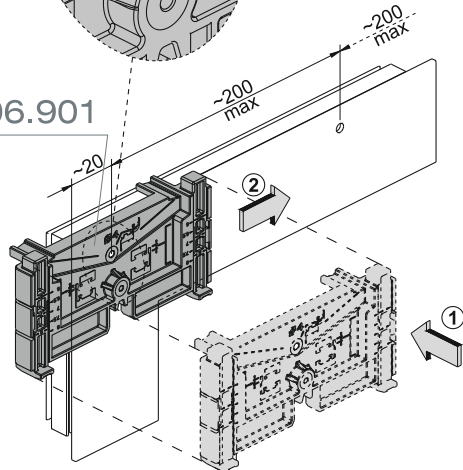


2406.901

FIT THE STOP BLOCKS



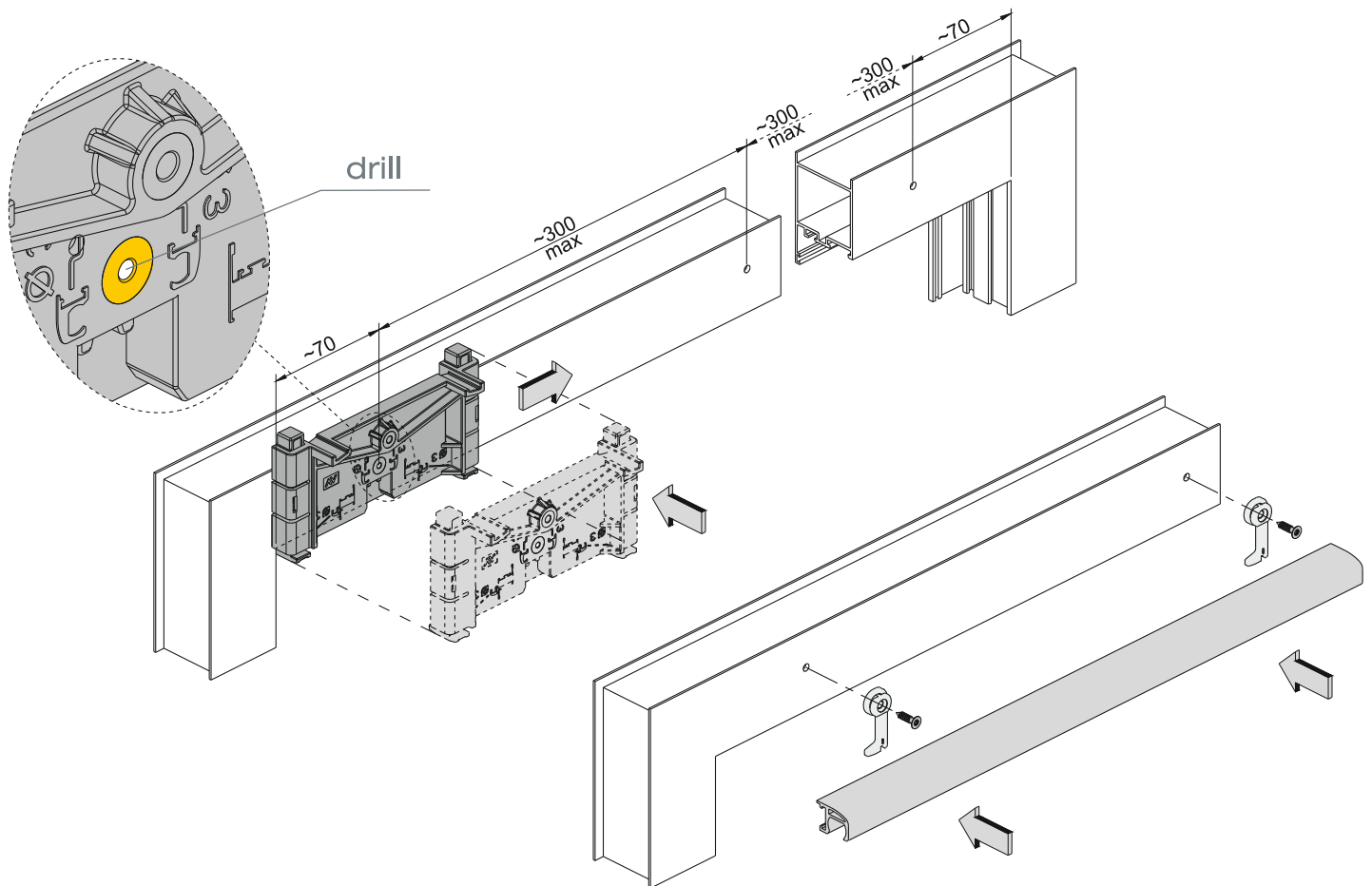
art. 2406.901



SLIDEART TS

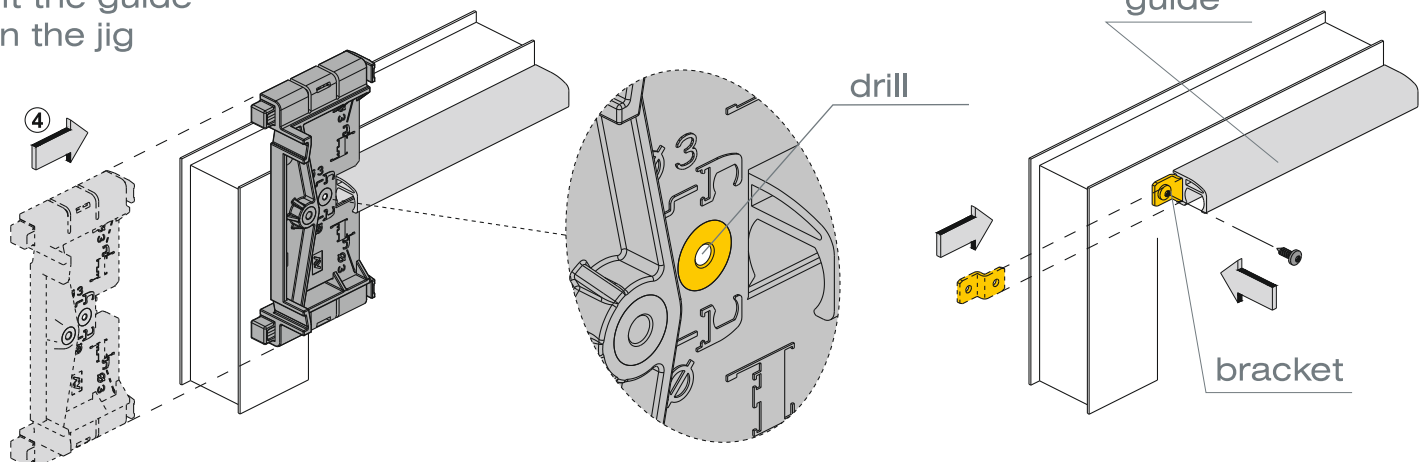
Complementary products

2406.901



DRILLING FOR GUIDE REINFORCEMENT BRACKET

fit the guide
in the jig



SLIDEART TS Complementary products

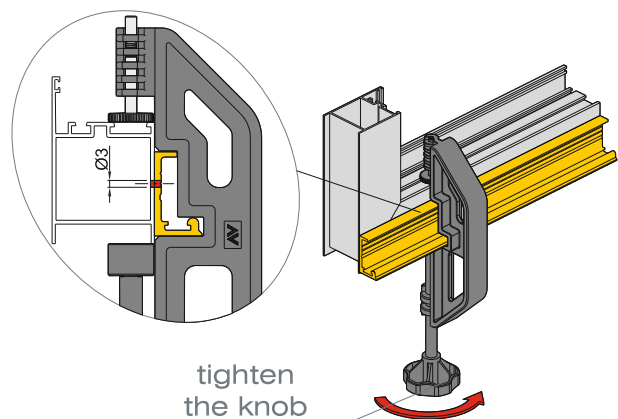
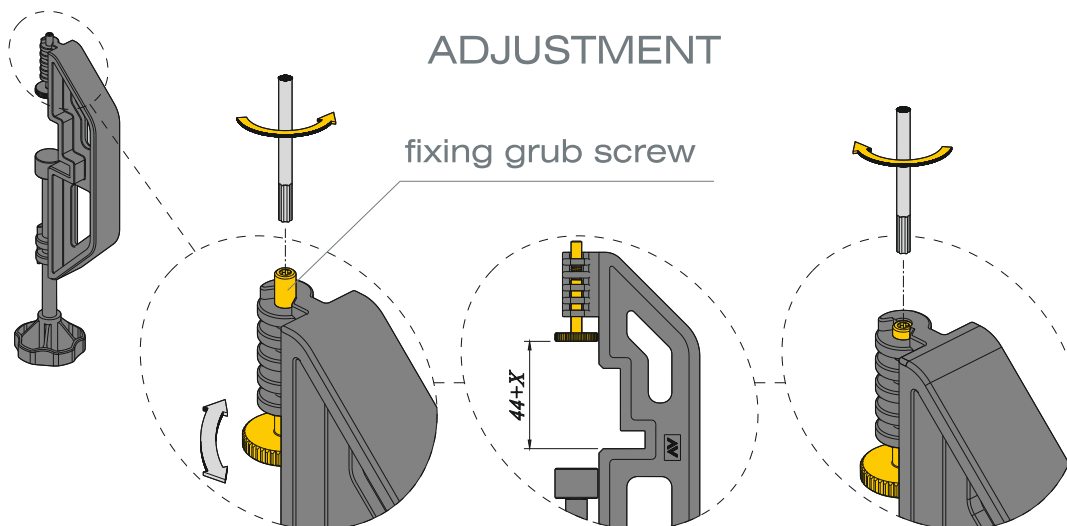
Positioning jig for bottom track

It is equipped with a reference that
can be moved and then secured so
that the height is always the right
one.

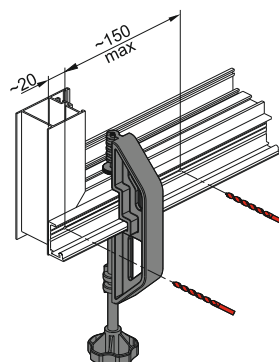


2406.902

ADJUSTMENT



DRILLING



RIVETING

